

IOVU-430M



- 4.3" TFT WQVGA LCD with projective capacitive touchscreen
- XScale® PXA270 416 MHz CPU
- Powered by Windows® CE 5.0
- Built-in Ethernet LAN and optional Wi-Fi
- Built-in CAN-bus 2.0b and GPIO
- Built-in RS-232/422/485 Port



Flexible Connectivity

While touch sensor is commonplace for single points of contact, IOVU-430M's multi-touch sensor enables users to interact with the system with more than one finger at a time. IOVU-430M RISC-based system provides high performance, lower power consumption, wide operating temperature, rugged compact form factor and cost efficiency. Built-in Wi-Fi module, GPIO (General Purpose Input/Output) and CAN-bus control have varied applications be flexible.

Designed for automation applications, IOVU-430M provides various control interface choices to fit different automatic control applications. One can use GPIO (General Purpose Input & Output) in single control cases, for instance, to receive door sensor signal via digital input and send output signal to lock relay for door control. Furthermore, IOVU-430M provides CAN-bus connectivity which empowers to compose a smart network in advanced automation applications.

1

IEIMobile Solutions

2

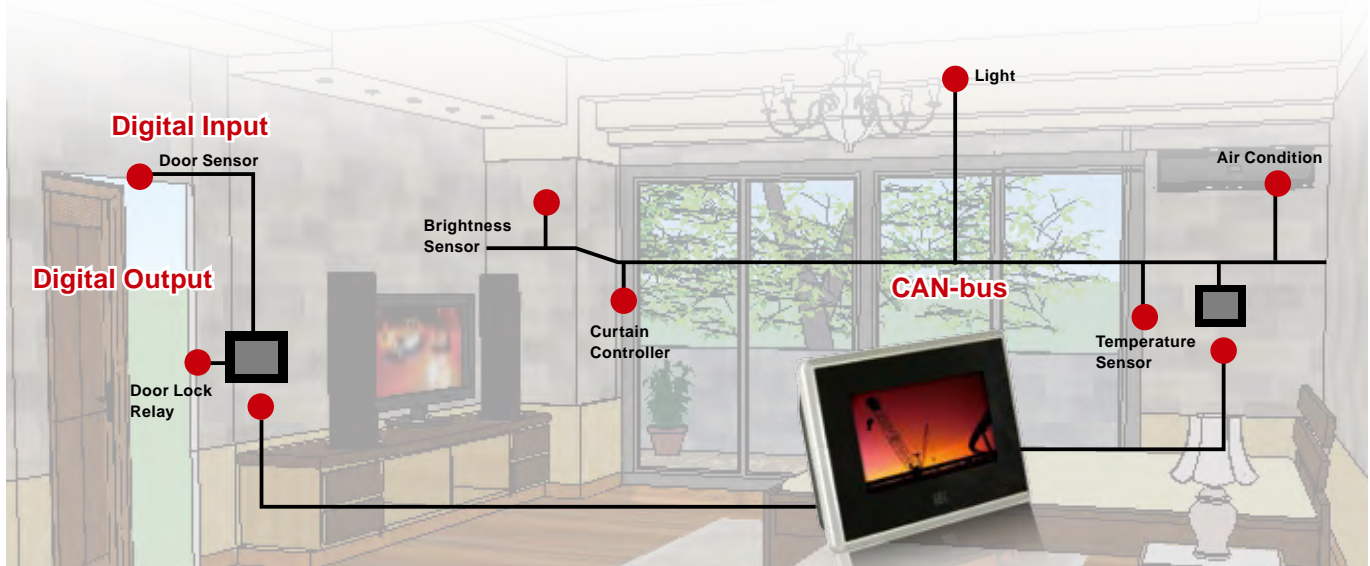
Automation Panel Solutions

3

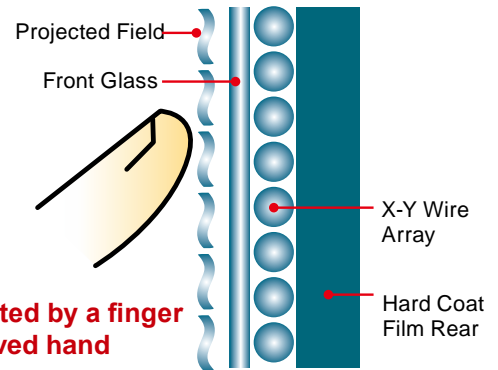
PACSmate Medical Solutions

4

Optional Peripherals



Projected Capacitor Multi-touch



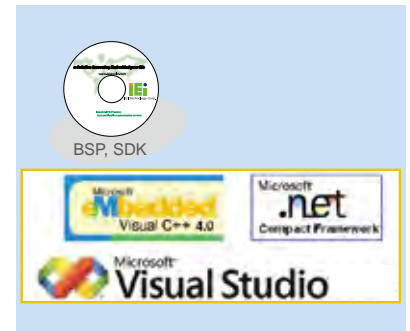
Activated by a finger or gloved hand

• Operation Theory

PCT is based on the principle of embedding an array of micro-fine sensing wires within a multi-layer laminated screen behind a protective front surface, ensuring that the sensing medium is well-protected from accidental and malicious damage.

• IEI IOVU-430M Multi-touch SDK

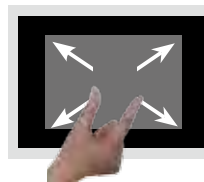
Empowered by equipping multi-touch technology, IOVU-430M provides users with a more delightful controlling experience. Compared to conventional single-touch technology, now application programmers increase user interface to more friendliness by providing intuitive gesture control methods. IEI shares software development kit and demo AP with source code to support quick software building. IEI IOVU-430M multi-touch SDK provides up to 10 gestures for user to define various users behaviors which makes operating more convenient and interesting.



Slide (Multi-touch)
Left (Right)



Slide (Multi-touch)
Up (Down)



Zoom Out



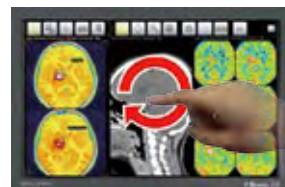
Zoom In



Presentation

• Gesture Applications

Using a combination of gestures, users can freely rotate, zoom-in, and zoom-out, to emphasize specific photographs, graphics, or diagrams. With the ability to go back to a wider vision of an entire slide, convenience and flexibility is greatly enhanced during the communication process.



Healthcare

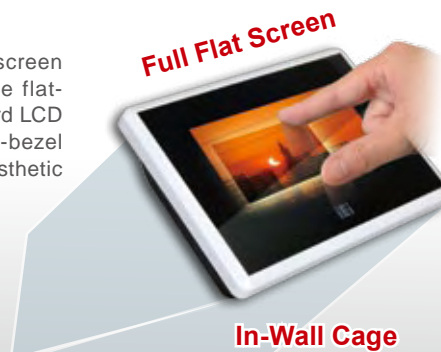


e-Collaboration

Flat Bezel Panel

The IOVU-430M full-flat surface screen makes the screen and bezel appear to blend seamlessly together. The flat-bezel design removes the front frame (bezel) of standard LCD to create a seamless surface. The IOVU-430M zero-bezel resistive/projective capacitive touch system offers aesthetic elegance, easy to clean, seamless front face.

- Better visual effects
- No EDGE EFFECTS
- Sleek, stylish luxury look without clutter
- Easy clean properties



White in-wall cage



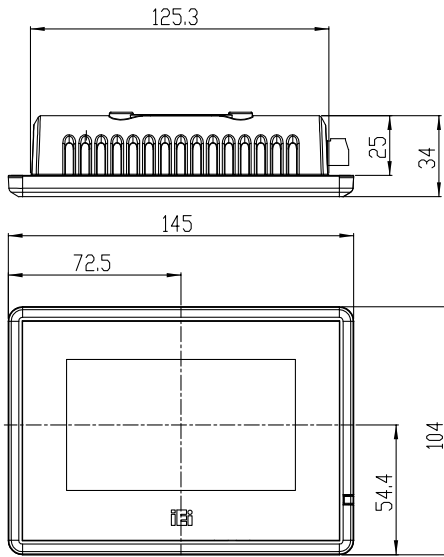
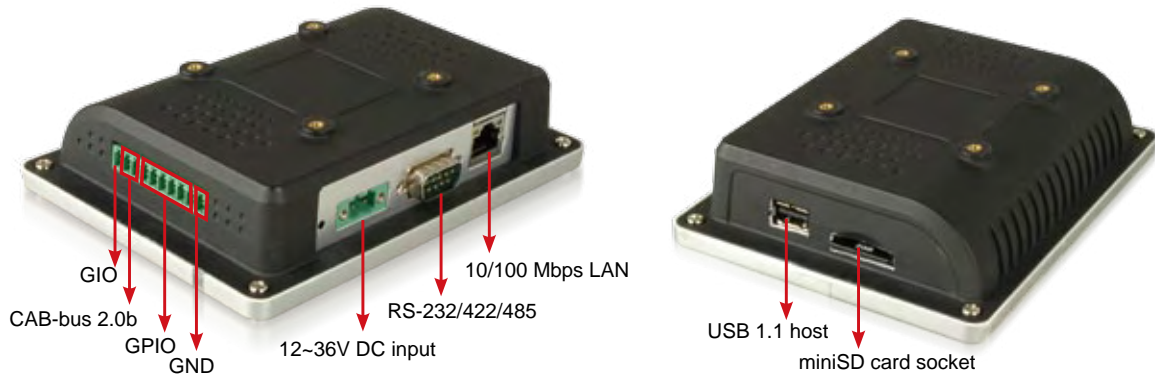
Black in-wall cage

1
IEImobile
Solutions

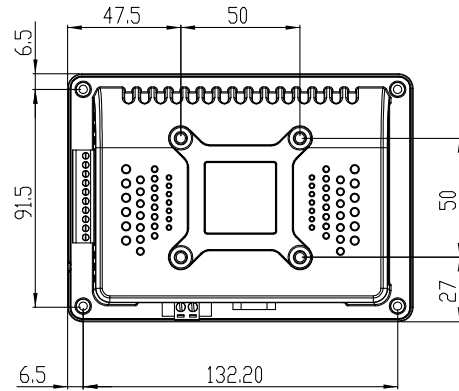
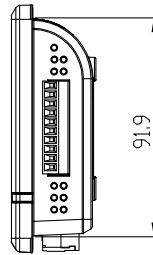
2
Automation
Panel
Solutions

3
PACsmate
Medical
Solutions

4
Optional
Peripherals



IOVU-430M
Dimensions (Unit: mm)



Ordering Information

Part No.	Description
IOVU-430M-CE5/MT-R10	4.3" TFT, WQVGA fanless with MARVELL XScale PXA270 CPU, 128MB SDRAM, projective capacitive multi-touch panel PC with built-in Windows® CE 5.0 license
IOVU-430M-CE5/ST-R10	4.3" TFT, WQVGA fan-less with MARVELL XScale PXA270 CPU, 128MB SDRAM, resistive type single-touch panel PC with built-in Windows® CE 5.0 license
IOVU-430M-CE5/ST/WL-R10	4.3" XSCALE PXA270 416MHZ resistive type single-touch panel PC with 802.11b/g Wi-Fi function ,built-in Windows® CE 5.0
IOVU-430M-CE5/MT/WL-R10	4.3" XSCALE PXA270 416MHZ resistive type multi-touch panel PC with 802.11b/g Wi-Fi function ,built-in Windows® CE 5.0

Packing List

1 x IOVU-430M
1 x Null modem cable
1 x Screw kits
1 x Utility CD includes SDK, utilities and technical document
1 x Touch pen (only for single-touch mode)

Options

Part No.	Description
63000-FSP060DBAB1555-RS	12V/5A DC 60W power adapter with bare wire, 90~264V AC input
IOVU-430M-IWC/B/-R10	In-wall cage (Black)
IOVU-430M-IWC/W/-R10	In-wall cage (White)

1

IEIMobile Solutions

2

Automation Panel Solutions

3

PACSmate Medical Solutions

4

Optional Peripherals